

## Standard-Type Electric Strike Lock



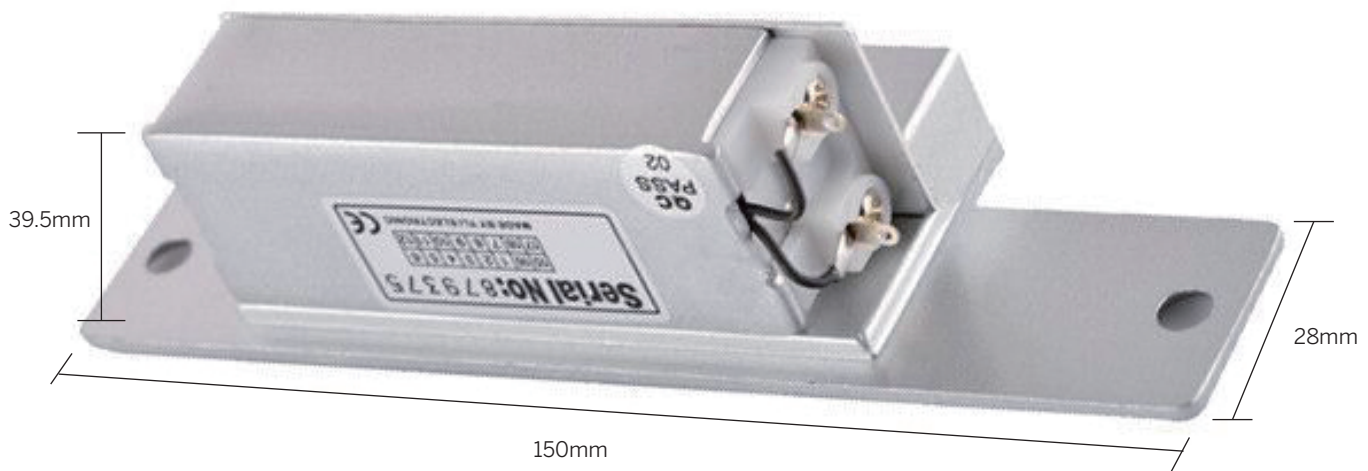
ES-100

Electric Strike lock with 800kg holding force  
 Electric strike lock series:  
 ES-100A: Fail-secure type (Power to unlock)  
 ES-100B: Fail-safe type (Power to lock)

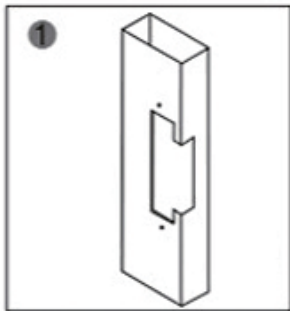
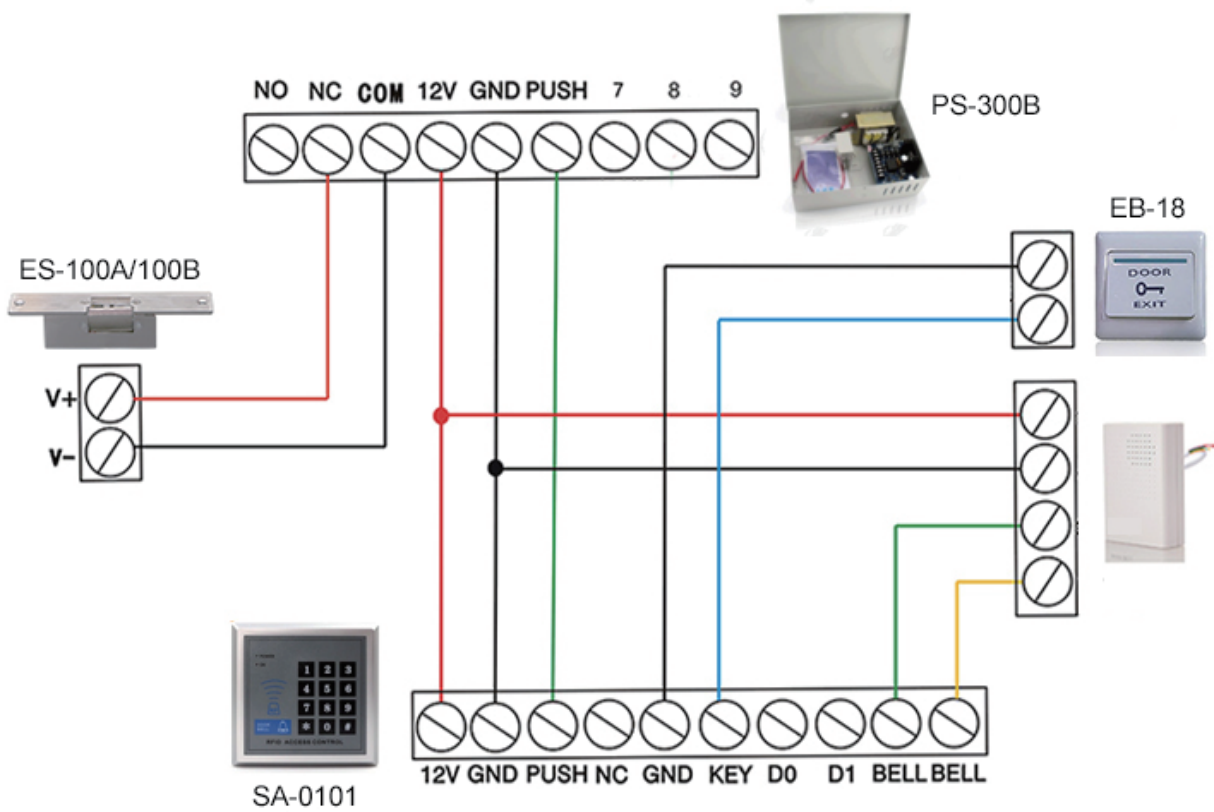
### Specifications

<b>Lock Size</b>	150x39.5x28mm	<b>Suitable Temperature</b>	-10°C~25°C(14°F-131°F)
<b>Holding Strength</b>	800kg	<b>Bolt Housing</b>	Stainless steel, Draw the Polishing of silk
<b>Bolt structure</b>	Stainless Steel	<b>Function</b>	Built-out MOV
<b>Voltage</b>	12VDC	<b>Suitable For</b>	Wooden Door, Metal Door, PVC Door
<b>Current</b>	450mA(ES-100A) / 200mA(ES-100B)	<b>Opening Mode</b>	90 Degree Swinging Door
<b>Surface Temperature</b>	Within +20°C	<b>Weight</b>	0.3kg

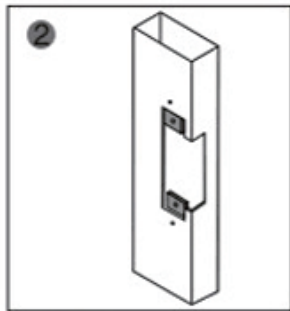
### Dimensions



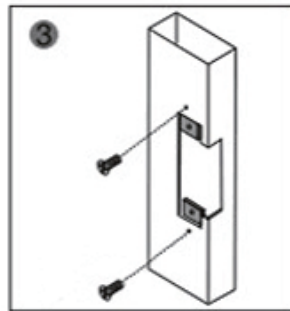
# Wiring Diagram



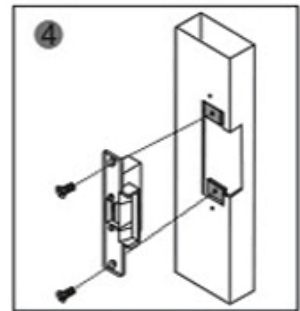
1 Cutting according to the size of the electric lock



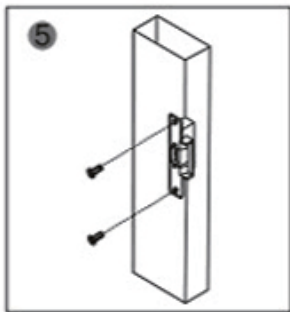
2 Insert extension plate



3 Fix extension plate



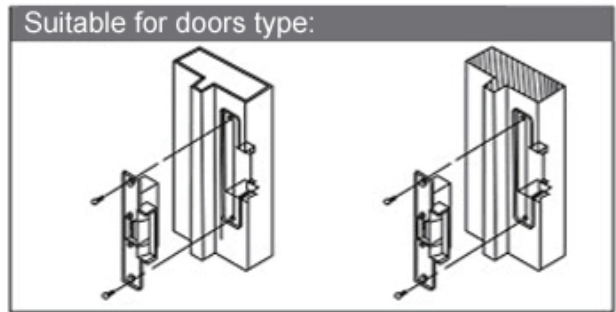
4 After installed, power on and test it



5 Fix strike lock



6 Finish



Suitable for doors type:

Metal door frame

Wooden door frame



S4A Industrial Co., Limited

Address: The 2nd floor, Jinmin'an Industrial Zone, #529, Bulong Rd. Bantian St. Longgang Dist. Shenzhen, PRC. CN 518131



Tel: +86 755 29450011

[www.s4a-access.com](http://www.s4a-access.com)